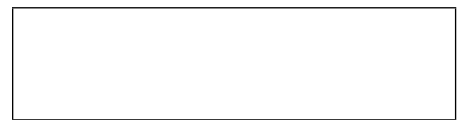


	Kg.
	cm.



PC & Macbook
<https://get.adobe.com/uk/reader/>

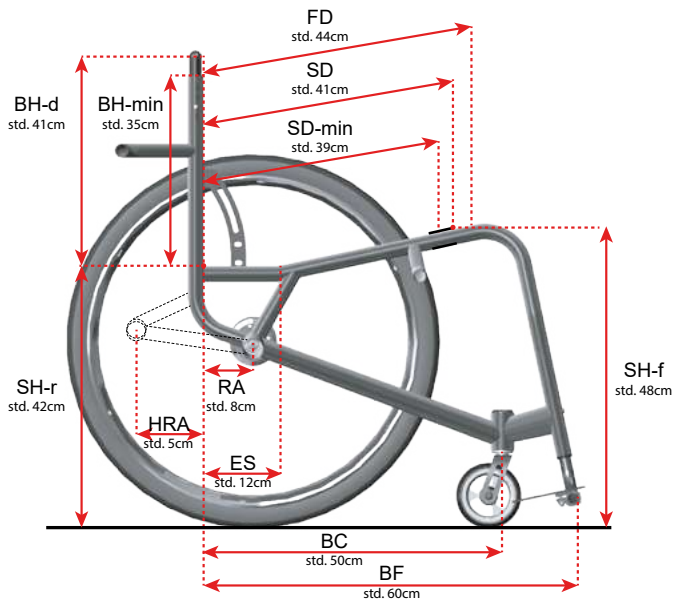
Tablet & iPad
<https://www.adobe.com/acrobat/mobile.html>

- DE 
- DK 
- ENG 
- FR 
- ITA 

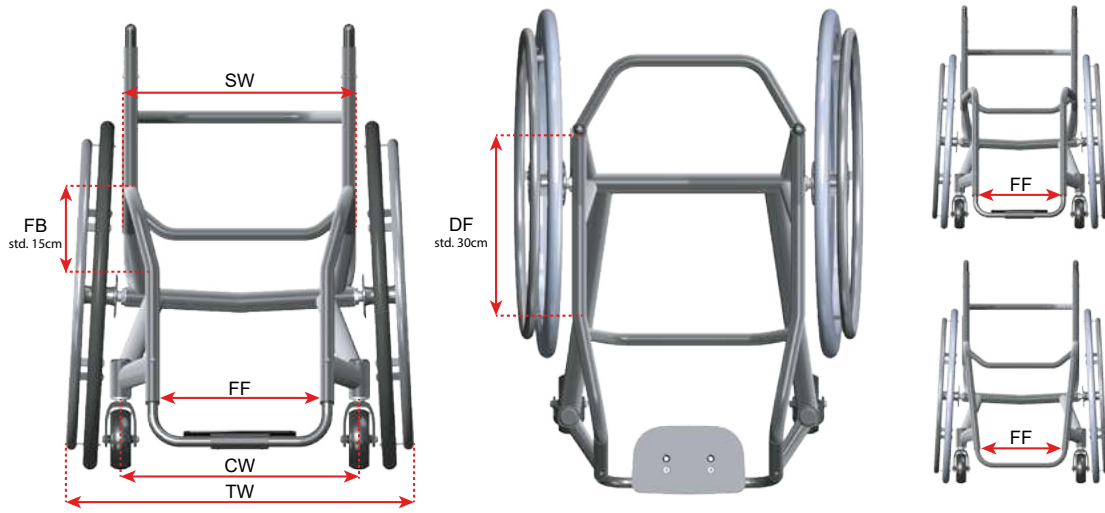


11100000100? 4900 €	
11100000300? 5200 €	
11100000400? 4900 €	
11100000200? 4900 €	
11100000550? 5700 €	
120000001500 4900 €	
120000002000 4900 €	
120000003000 4900 €	
120000004000 4900 €	
14100000150? 4950 €	

619000001009			
619000001109			
619000001209			
619000001309			
619000001409			
619000001509			
619000002009			
619000002109			
619000002509			
619000002809			
619000003209			
619000003309			
619000003409			
619000003509			
619000003709			
619000003809			
619000003909			
619000003009			
765 €			
000000001102			
0 €			



	!		SW: _____ cm
	!		FD: _____ cm
	!		SD: _____ cm
	!		SD-min: _____ cm
	!		SH-r _____ cm
	!		SH-f: _____ cm
	!		C: _____ °
	!		BH: _____ cm
	!		BH-d: _____ cm
	!		BH-max: _____ cm
	!		BH-min: _____ cm
	!		RA: _____ cm
69100001010? 745 €			HRA: _____ cm
610000001009 610000??0001 260 €	!		ES: _____ cm
			BF: _____ cm
			BC: _____ cm
			CW: _____ cm
			TW: _____ cm



	!								FF: _____ cm
	!								FB: _____ cm
									FF: _____ cm
									DF: _____ cm
									FF: _____ cm



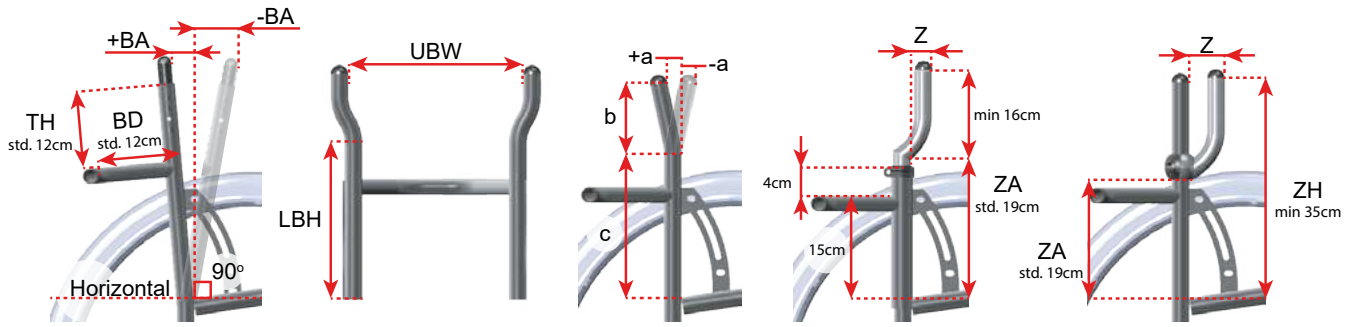
8861101013?? 332 €	!		
8861101013?? 332 €			
8861101013?? 434 €			
8861101013?? 434 €			
			AF: _____ cm
		AW: _____ cm	
886110102001 332 €			

--	--

Fill in and send to Wolturnus - Ausfüllen und an Wolturnus senden - Udfyld og send til Wolturnus

Subject to Technical Modifications and Printing Errors / Technische Änderungen und Druckfehler vorbehalten
Forbehold for tekniske ændringer og trykfejl

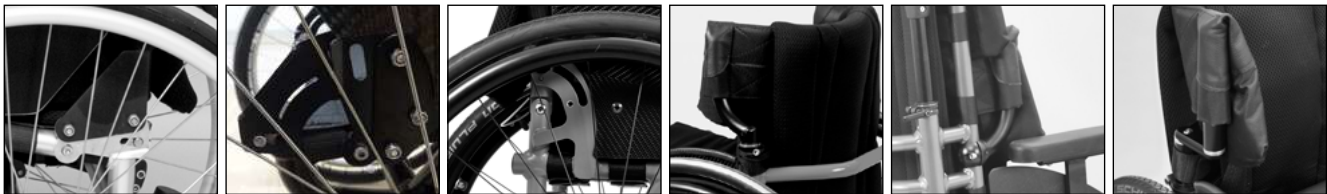
© Wolturnus A/S W5/Tukam/Dalton Summer 2024 v14.2



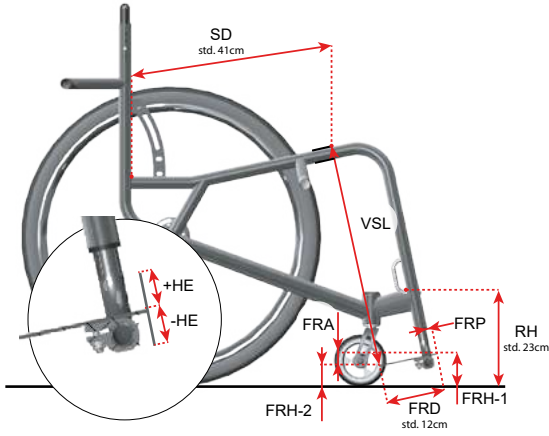
813100050???				
0 €				
813100051???				
374 €				
691000010130				
70 €				
813100053???				
509 €				
				BA: _____ ±cm
				SW-s: _____ cm

81220020000?				
251 €				
				UBW: _____ cm
				LBH: _____ cm
812200200020				
150 €				
				a: _____ cm
				b: _____ cm
				c: _____ cm
				BD: _____ cm
				TH: _____ cm

8122002001??				
572 €				
8122002001??				
739 €				
82501000????				
572 €				
				_____ cm
				ZA: _____ cm
8122002001??				
950 €				
				Z: _____ cm
8122002001??				
950 €				
				ZH: _____ cm



--	--




Fill in and send to Wolturnus - Ausfüllen und an Wolturnus senden - Udfyld og send til Wolturnus

Subject to Technical Modifications and Printing Errors / Technische Änderungen und Druckfehler vorbehalten
Forbehold for tekniske ændringer og trykfejl











		VSL/USL: _____ cm	
		FRH-1: _____ cm	
		FRH-2: _____ cm	
		-1,5	-3
		+1,5	+3
8200FF00FR00 0 € 144 €			
82??99000000 321 €			Custom FRD _____ cm
829999020004 390 €			HE: _____ ±cm
8299990000?9 0 €			
8299990100?1 278 €			FRD: _____ cm
8299990100?5 230 €			FRA: _____ cm
8299990100?3 536 €			FRD std. 12 cm FRA std. 1 cm
829999200005 0 €			
835050001001 995 € 995 €			
829999020090 235 €			
835099210001 69 €	!		
829999012001 38 €			HE: _____ ±cm
			FRP: _____ cm
691000010001 70 €			RH: _____ cm
825000000003 129 €			
840710001010 845 €			FreeWheel ^(Inc) <small>Wheelchair Attachment</small>

761000000010 250 €							+0 1+ 2+ 3+ 4+ 5+
							+0 1+ 2+ 3+ 4+ 5+

710000000001 0 €				
710099990010 450 €				
710099990012 480 €				
710099990013 480 €				
710099990011 480 €				

710099990001 0 €				
710099990003 189 €				
710099990004 189 €				
710099990002 189 €				
710099990000 0 €				

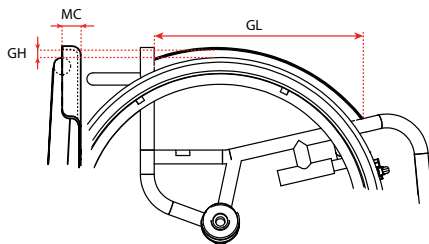
750000009000 270 €				!		
- 0 €		!			_____ cm / _____ cm	
750000000005 70 €					5cm Std.	7cm
				Medium Std.	Hard	

885110101001 0 €			
885110101003 0 €			
885110111001 203 €			
885110122002 60 € 88511012200? 120 €			
885110201009 160 € 885110200909 203 €			
885110101101 203 €			
885110111101 203 €			
951519204000 92 € 184 €			
885110201209 230 €			
885110201300 256 €			
85511020130? 409 €			
8400002072XX 460 €			
951500020019 72 € 951519300007 72 €			
691000020001 175 €			

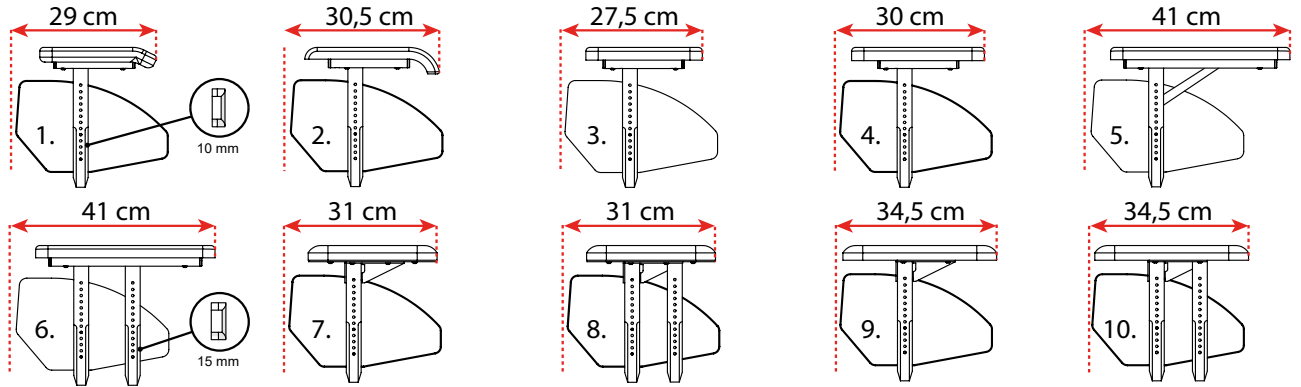
				
881000100003 0 €				
881000600003 0 €				
881000?0000 347 €				
88100010000? 0 €				
88100040000? 307 €				
8810005000?? 760 €				
88100020000? 741 €				
8810003000?? 818 €				









883124101014 245 €			
681000010002 75 €			
681000010052 75 €			
7670000000?? 174 €			

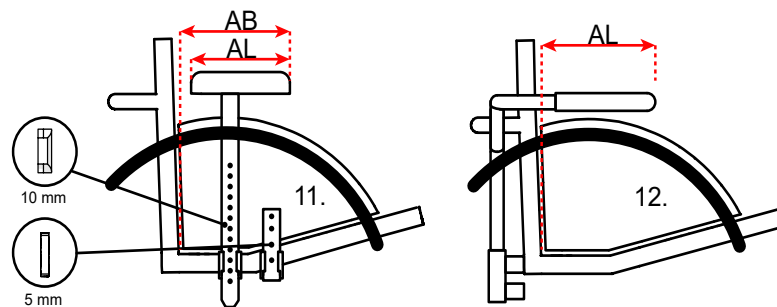
		GH:	_____ cm
		GL:	_____ cm
		MC:	_____ cm

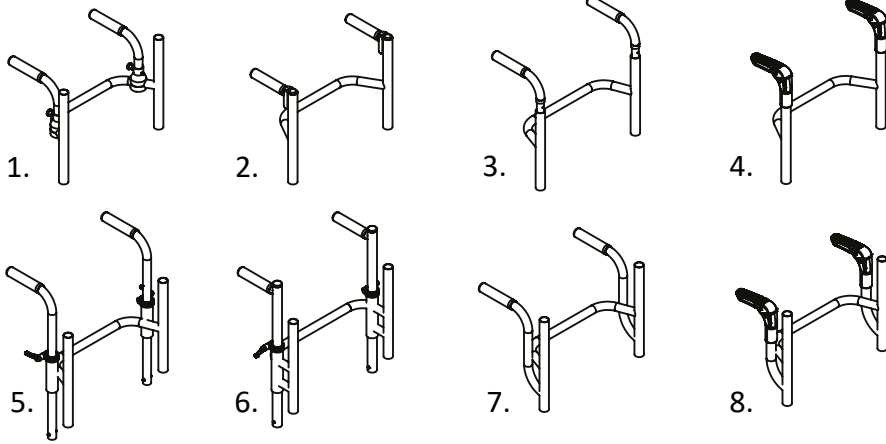


--	--



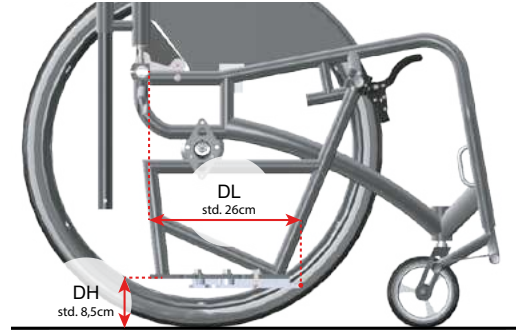
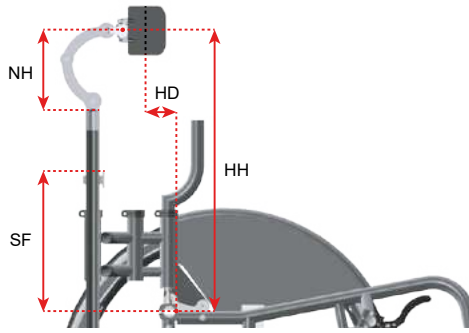
881001000003 562 €			AB = 29 cm AL = 23,5 cm	
881001100003 562 €			AB = 30,5 cm AL = 27,5 cm	
881001200003 562 €			AB = 27,5 cm AL = 23,5 cm	
881001300003 562 €			AB = 30 cm AL = 27 cm	
881001?00003 818 € 971 €			AB = 41 cm AL = 37 cm	
881001?00003 869 € 971 €			AB = 31 cm AL = 26 cm	
881001?00003 869 € 1022 €			AB = 34,5 cm AL = 31 cm	
681000010004 180 €				
681000010007 97 €				
883124101002 567 €			AL: _____ cm	
	!		AS: _____ cm	





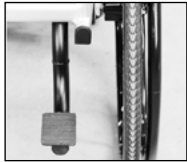





81310005??09 337 €	1.		
81310005?106 321 €		2.	
81310005?206 375 €			
81310005?108 321 €		3.	
81310005?208 375 €			
81310005?107 187 €	4.		
81310005?207 235 €			
81310005??02 536 €	5.		
81310005??03 536 €		6.	
81310005??04 375 €			
81310005??05 589 €		8.	
			PH: _____ cm

--	--












884100013001 245 €				
884100014002 353 €				
951000080130 92 €				NH: _____ cm
951000080131 112 €				
951000080141 112 €				HH: _____ cm
951000080142 112 €				
840000100831 184 €				
840000100832 215 €				HD: _____ cm
884100250100 194 €				SF: _____ cm

825000000001 294 €				
887000200002 509 €				
887000200011 2.453 €				DL: _____ cm DH: _____ cm

69100002002? 280 €				
886210101001 347 €				
7600000100?? 70 € 64 €				
76100000000? 166 € 230 €				
7711000007?? 112 € 112 € 112 €				
771100000747 112 €				
953001040120 112 €				

--	--	--	--	--



860010201251		0 €		Std.	LED
860010201000		0 €			
860010201001		0 €			
860010200801		0 €			
860010101401		0 €		29mm	40mm
860010101253		0 €			
860010101251		0 €			
860010101002		0 €			
860010200910		182 €			
860010200900		182 €			
8600101015??		481 €			
8600101015??		481 €			
86001010201?		0 €			
		0 €			
		0 €			
8600101020??		0 €			
		0 €			
860020000000		+53 €			
86001020150?		332 €			
		332 €			
860010201???		332 €			
		332 €			
		332 €			
860010201???		332 €			
		332 €			
		332 €			
860010201???		385 €			
		385 €			
		385 €			
		385 €			
860010201???		385 €			
		385 €			
		385 €			
		385 €			
		0 €			
		164 €			
		164 €			
		164 €			
885201001001		613 €			
862400001009		321 €			




--	--	--	--	--	--


	22"	24"	25"	26"	
85102??01009					0.-
85102?10100?	-			-	0.-
8510??101002				-	263 €
851124201009	-		-	-	481 €

853728111019						
853728111020			-		835 €	!
853728111021						

853728111009			-	-	1.338 €	!
853728111010						

	22"	24"	25"	26"		
85352?101008					915 €	
85352?101208					915 €	
85352?101508	-				915 €	
85352?101308					915 €	
85352?102108					915 €	
85352?101009					710 €	
85352?101209					710 €	
85352?101509	-				710 €	
85352?101309					710 €	
85352?101709					710 €	

85352?101608					971 €	
85352?101408	-			-	971 €	
85352?101808					971 €	
85352?101708					971 €	
85362?241008					971 €	
85362?241208					971 €	
85362?241508	-				971 €	
85362?241308					971 €	
85362?181008					971 €	
85362?181208					971 €	
85362?181508	-				971 €	
85362?181308					971 €	

85342410042?					4.323 €	
85342410043?	-			-	4.645 €	

--	--







	22"	24"	25"	26"	
96622?010001				-	0 €
96622?01000?					70 €
96622?010009					150 €
96622?010021			-	-	150 €
966224010013	-		-	-	70 €
96622?011008	-			-	70 €
966224010007	-		-	-	70 €

85512?10200?					0 €
85512?102008	-			-	198 €
85502?103009	-				182 €
85552?000009					514 € 643 €
8554202?0601	-				322 €
8554262?0601	-				588 €
8554272?0601	-				588 €
8554282?0601					715 €
9669282?0602					715 €
8554302?0601					715 €
8554502?060?	-			-	715 €
8554502?060?	-			-	715 €

			!		

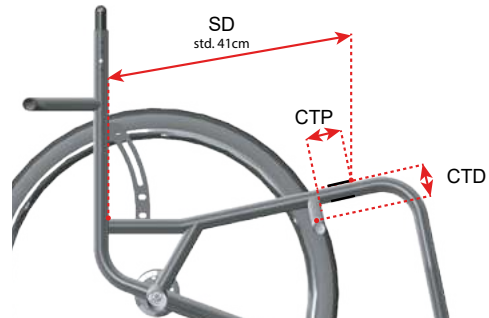
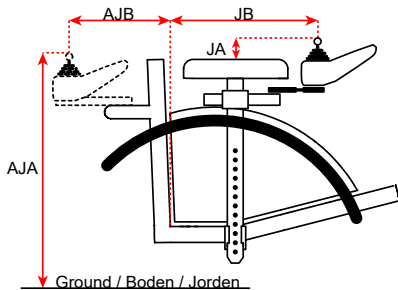
85712?102009					182 €
--------------	--	--	--	--	-------

--	--

853728111062				595 €	
853728111061				595 €	
853727110001				1.267 €	
853727110001			1.267 €		
853727110002			1.267 €		
853727110002			1.267 €		
853728111?65				96 €	
853727110003				1.267 €	
853727110004				1.267 €	
853727110005				1.267 €	
853727110007				1.267 €	
951099250460				204 €	
951099250560				204 €	
853728120000				230 €	

0 €					JB: _____ cm
					JA: _____ cm
					AJB: _____ cm
					AJA: _____ cm

825000000007 118 €					CTP: _____ cm
					CTD: _____ cm



--	--	--	--	--	--

000000001104 110 €		EN ISO 14971
P.4		
P.5		
P.6		
P.7		
P.9		
P.10		
P.11		
P.12		
P.13		
P.14		
P.15		
P.16		

